

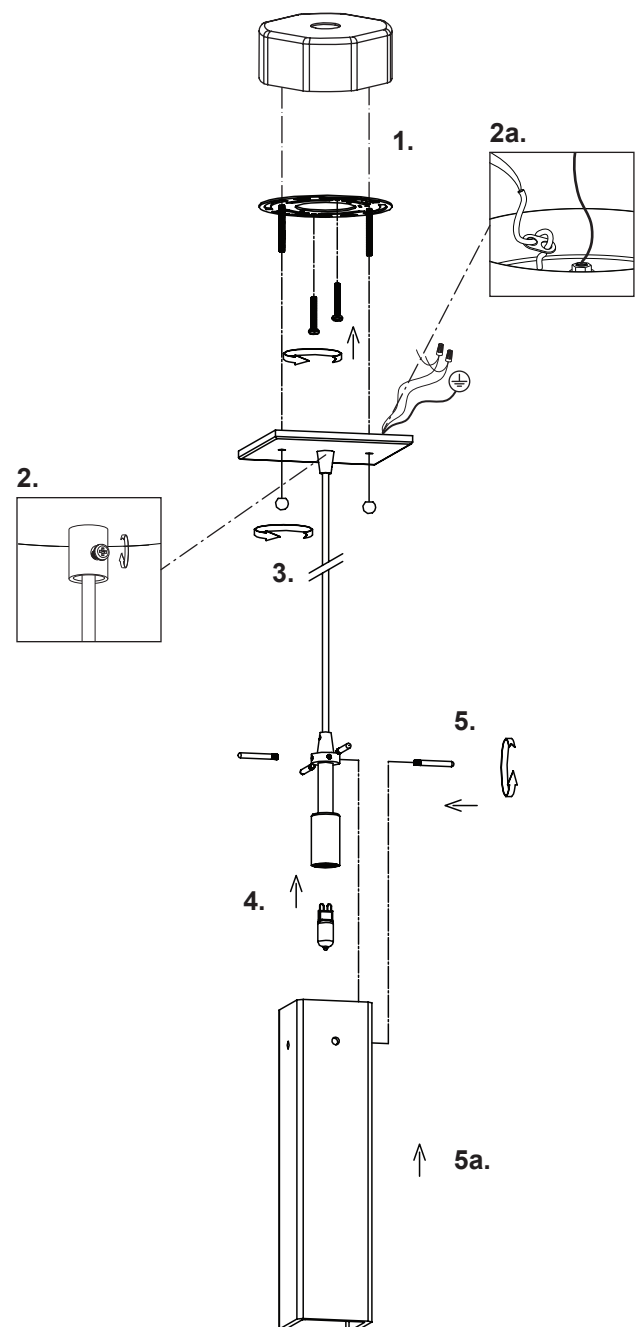
Single lamp pendant

1. Remove the fixture from its original packaging. Remove the canopy mounting plate from within the canopy and attach it to the electrical junction box on the ceiling using the two screws provided in the hardware package.
2. Select the desired length you would like the fixture to hang down from the ceiling (72" maximum). To adjust the length of the electrical wire, undo the wire safety lock in the center of the canopy until the electrical wire can move freely. When you have achieved the desired length tighten the wire safety lock in the center of the canopy. (2a) Now slide the wire safety grip down the wire until it is as close as possible to where the wire enters the inside of the canopy to firmly lock the wire in place.
3. Attach the canopy to the mounting plate, which is attached to the electrical junction box on the ceiling. First attach all wiring with the provided marrets (white to white "N", black to black "L", ground to ground "G"). Align the two holes from the canopy to the two screws pointing down from the mounting plate. Push the screws through the canopy plate so they are poking through, once this is complete you can screw on the decorative nuts until tight.
4. Now that your fixture is installed to the ceiling you can install the G9 light bulb of the correct wattage.
5. Locate the three pins from inside the hardware package. These pins are to hold the glass onto the pendant. (5a) Take the pendant lamp socket and guide it gently through the center of the glass piece until one of the holes in the glass lines up with one of the holes in the metal disc above the lamp socket. Insert a pin through the hole in the glass, and screw it in to the hole on the metal disc, until it is tight (do not over tighten). Now with the piece installed on the pendant, please proceed to line up the other two holes in the glass piece, and metal piece, with the holes in the metal disc, insert the pins, and screw them in until they are tight (do not over tighten).
6. You have now completed the installation of your fixture, please enjoy.

START FROM HERE

- Make sure power is completely off at the fuse box.
- Have your fixture installed by a qualified licensed electrician
- Prepare everything in clear area.
- Wear gloves at all times during this installation.
- Read instructions carefully before you start assembly.
- Keep this instruction sheet for future reference.

Technical Support: 1-877-452-6858



KUZCO
LIGHTING

19054 28th Avenue, Surrey, BC, Canada V3Z 6M3
T: 604-538-7162 TF: 1-855-85-KUZCO F: 604-538-7196
W: kuzcolighting.com
20140630